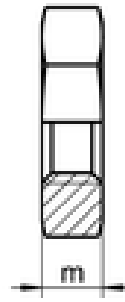
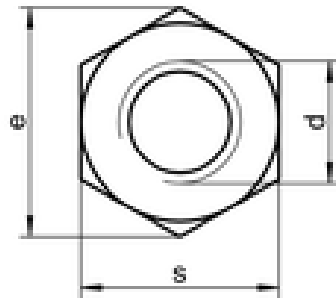
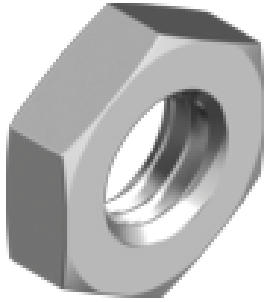




DIN 439

Lage zeskantmoer



d	m	s	e	⌀
---	---	---	---	---

2	0,95	4	4,32	4
---	------	---	------	---

2,5	1,35	5	5,45	5
-----	------	---	------	---

3	1,55	5,5	6,01	5,5
---	------	-----	------	-----

4	1,95	7	7,66	7
---	------	---	------	---

